

# H&M7500

**KÖNIG**  
康尼格

## Desktop Low Pressure Molding Machine

低压注塑设备（桌上型）

适用于低压注塑热熔胶材料对电子元器件注塑封装保护，为敏感电子元器件，如：PCB/FPC，传感器，连接器，线束，电池等，提供更优的封装保护。

The machines are engineered for Low Pressure Injection Molding applications. Using hot-melt adhesive material to protect delicate electronic components, such as PCB/FPC, sensors, connectors, wiring harness, batteries, etc.



### 特点

- 注胶系统采用高可靠性的齿轮泵和注胶枪，结构紧凑注胶精准稳定。
- 设备分段控温，胶缸、胶管和胶枪均可独立控制，温度控制精准。
- 注胶压力通过面板压力阀进行调节，操作简便。
- 胶缸、胶管、合模机构采用一体化设计，设备占地面积较小，可加入产线进行生产。
- 配有标准模具，适合中小型模具注胶，模具采用热流道控制，无水口料，节约成本。

### FEATURES

- Injection system using high reliability gear pump and glue guns, the injection is precise and stable with compact structure.
- The cylinder, hose and gun can be controlled independently, and the temperature control is accurate.
- Injecting pressure is easy to adjust through the control panel.
- Melting Tank, hose and cylinder clamping mechanism use all-in-one design, small space needed, can be place in the production line.
- Use standard mold, suitable for small mold injection, and equipped with hot runner, no material waste.

左右移模 | 一个上模搭配两个下模 | 稳定高效

桌上型一体式，占地面积小，适合中小型模具注胶

One upper mold for two lower mold with left-right transfer mode, stable and efficient. Desk type all-in-one, less space occupation, suitable for small size mold



### 低压注塑工艺 Low Pressure Injection Molding



150~200°C  
极低的注塑温度



1.5~60bar  
极低的注塑压力



1S  
成型速度快至1s



IP67  
防水防尘

以上数据取决于具体产品，可能存在变化  
Characters depend on project.

# H&M7500

**KÖNIG**  
康尼格

Left-right transfer mode  
Suitable for small size mold

左右移模 | 适合中小型模具注胶

熔胶系统与数量 Melting Tank Model&Q'ty	KH02(2 Liter)×1PC
注胶管型号与数量 Heated Hose Model&Q'ty	KJ10×1PC
输入电压 Electricity	220VAC/1Phase/50 or 60Hz
用气量 Air Consumption	0.1 m <sup>3</sup> /min
温控分区 Temperature Control Zones	3
最高设定温度 Max. Setting Temperature	up to 250°C
最大功率 Max. Power	3.0Kw
最低工作气压 Min. Air Pressure	0.5Mpa
合模方式 Clamping Device	气缸(Cylinder)
合模压力 Clamping Force	Max.1.2Ton
合模行程 Clamping Stroke (mm)	125mm
标准模具尺寸 Standard Mold Size(mm)	180×160×130
控制系统 Control System	PLC+7" HMI
工作台高度 Work Station Height(mm)	860
机台尺寸重量 Machine Size(mm)	965×1000×1390 (430Kgs)
包装尺寸重量 Packing Size(mm)	1265×1205×1670 (470Kgs)

高生产效率  
High Efficiency



低温低压，成型快速，无损敏感  
电子元器件

Perfect protect sensitive  
electronic components with  
low temperature & low pressure

高产品良率  
High Yield



模具成型，高一一致性，培训简单  
操作便捷

High consistency with mold  
forming, easy to operate

节约材料  
Save Material



无需灌封外壳，无需多次操作，  
一次快速成型

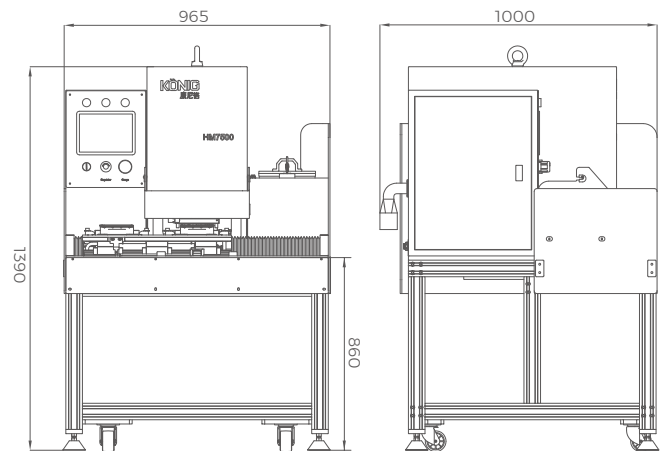
No need plastic shell, no need  
to operate many times

和谐生产环境  
ECO Friendly



生产过程中无有毒烟气产生，无  
化学反应

No toxic smoke during  
production process



可选配设备  
Optional Equipment

材料干燥机  
Material dryer

冷水机  
Water chillers

上下料机械手  
Loading manipulators

自动加料系统  
Automatic feeding system

苏州康尼格电子科技股份有限公司 Suzhou KONIG Electronic Technology Co., Ltd

江苏省·苏州市·常熟辛庄镇长盛路33号 No.33 Changsheng Road, Xinzhuang, Changshu, Suzhou

T +86-512-5247 9018 | F +86-512-5247 9098 | E info@konig.hk

